

Signal light series EZ50032x



LED signal light, Ø50, multicolor LED, with signal transducer, 24V DC, M12-connector, IP20, aluminum+PC



/ Anodized aluminum housing

Status display 360° Acoustic warning signal

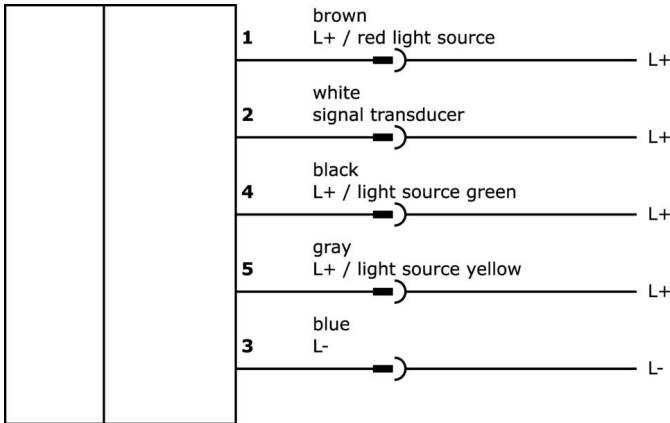
The signal towers in the series with their fixed colors can be used instantaneously. segments can be controlled separately via the digital inputs. The columns are also equipped with an acoustic signal transducer (95 dB), which significantly increases perception. The 360° visibility ensures a good signaling effect.

Article No.	EZ500320	EZ500330
		
ardSOCA_Abmessungen	M30x1.5	
ardSOCA_Betriebsspannung	24VDC	
Rated operating current	160 mA	180 mA
Housing material	Aluminum	
Ambient temperature	0 - 50 °C	
ardSOCA_ElektrischerAnschluss	M12 5-pin plug connector	M12 8-pin plug connector
ardTEEL_Schutzfunktionen	Verpolungsschutz	

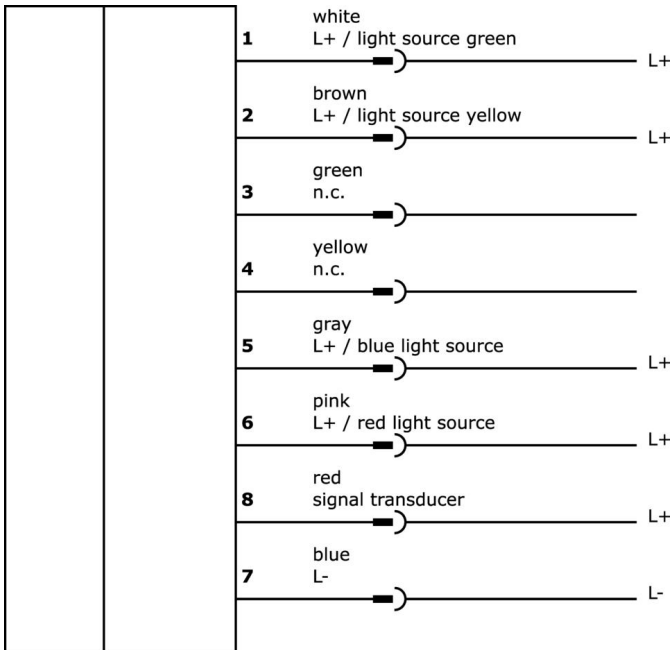
Important notes

/ Die Leuchte kann nicht zerstörungsfrei geöffnet werden.

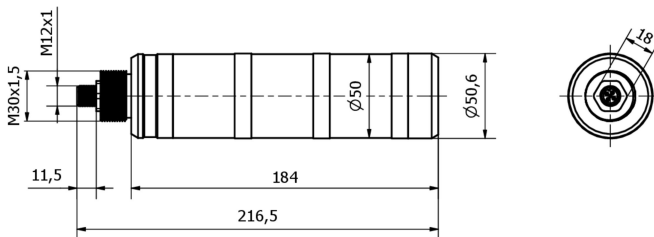
Anschlussbild_EZ500320



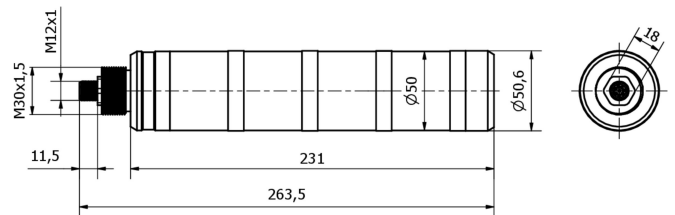
Anschlussbild_EZ500330



Dimensional drawing EZ500320



Dimensional drawing EZ500330



Extract accessories program

VK003025



Cable socket, Straight, Suitable for self-assembly, Screw connection, Ø3-6.5mm, 4A, 60V, -25-90°C, M12 Female (socket) 5pin, IP67, PBT

VK200625



Connection cable, 2m, M12 Female (socket) 5pin Straight, Free conductor end, 5x0.34mm², PUR (Polyurethane), Ø5.4mm, 60V, -25-90°C, IP67, Suitable for trailing chain and torsion resistant, Oil and cooling lubricants, Welding area, Silicone-free

VK205625



Connection cable, 2m, M12 Female (socket) 5pin Straight, Free conductor end, 5x0.34mm², PUR (Polyurethane), Ø6mm, 60V, -25-90°C, IP67, Shielded, Suitable for trailing chain and torsion resistant, Oil and cooling lubricants, Welding area, Silicone-...

AE000032



Accessories lights up, mounting flange, Ø98mm, 65mm high, aluminum

AE000033



Accessories lights, extension, Ø36mm, 120 long, aluminum

AE000040



Accessories Mounting set for labeling plates for signal towers with Ø50mm, 167x25x16mm, plastic PA12

AE000043



Accessories for signal lights, inscription plate, 164x150x4mm, acrylic glass

You can find further accessories on our homepage



Installation

Mounting / installation may only be carried out by a qualified electrician!



Disposal

WEEE number according to § 6 para. 3 ElektroG: 40951076

Safety warnings

- / Before initial operation, please make sure to follow all safety instructions that may be provided in the product information.
- / Never use these devices in applications where the safety of a person depends on their functionality.
- / LED lighting systems can generate intensive UV radiation, which can damage your eyes in case of improper use. The manufacturer cannot be held responsible for damages that result from improper use or connection.